

XINPU

Demolition Hammer

Model: *XP-G90B*

HANDLING INSTRUCTIONS



Original Instructions

Before using demolition hammer, please carefully read though these **HANDLING INSTRUCTIONS**. Ensure that you know how the machine works, and how it should be operated. Maintain the machine in accordance with the instructions, and make certain that the machine work correctly, please store this instriation and other enclosed documents with the machine together

CE



Application

This hammer should be applied to breaking concrete, chipping off concrete, grooving, bar cutting, and driving piles in installation of piping and wiring, unitary facility installation, machinery installation water supply, and drainage work, interior jobs, harbor facilities and other civil engineering work etc..

Contents

1. Machine information
2. Safety instruction
3. Assembly
4. Operation
5. Maintenance
6. Warranty
7. Environment

1. Machine information

Technical specifications

Machine Type	XP-G90B
Voltage	AC 220-240V
Frequency	50Hz
Input power	2200W
Impact rate	950 min-1
Weight	31kg
Sound pressure values (in accordance with 2000/14/EC)	105.38dB(A)
Guaranteed Sound power values (in accordance with 2000/14/EC)	110dB(A)

Note: Noise and vibration values are determined acc. to EN 60745-1 and EN 60745-2-6.

Note: The declared vibration value has been measured in accordance with a standard test method and may be used for comparing one power tool with another.

The declared vibration value may also be used to evaluate the exposure for the user caused by vibration in advance.



Warning! Depending on the actual use of the power tool the vibration values can differ from the declared total.

Adopt proper measures to protect yourself against vibration exposures. Take the whole work process including times the power tool is running under no load or switched off into consideration.

Proper measures include among others regular maintenance and care of the power tool and application tools, keeping hands warm, periodical breaks and proper planning of work processes.

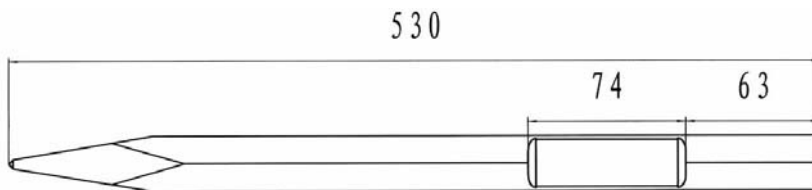
Standard accessories

One bottle of grease	60g (one bottle)
point chisel(28*410mm)	1 piece
flat chisel(28*410mm)	1 piece
Carbon brush	1 couple

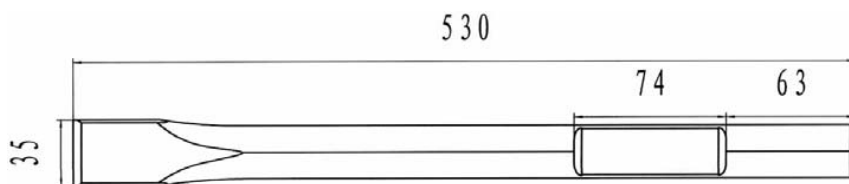
Optional accessories (sold separately)

Notice: Optional accessories (sold separately) are recommended only for specified purpose in manual, any other brand accessories or attachments used may present risk of injury.

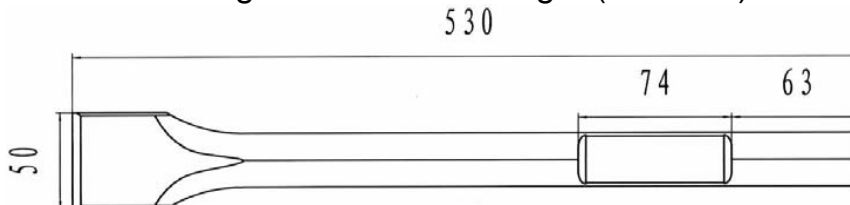
1. Bull point Hexagon size28*530 length (Unit:mm)



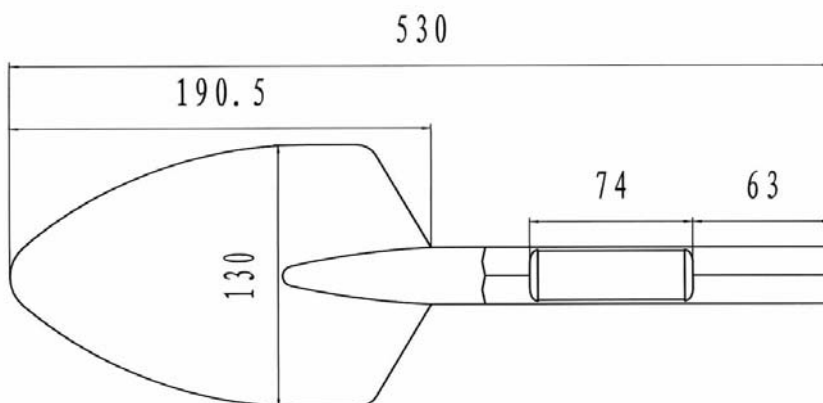
2. Flat chisel Hexagon size28*530 length (Unit:mm)



3. Cutter Hexagon size28*530 length (Unit:mm)



4. Scoop Hexagon size28*530 length (Unit:mm)



5. Bush hammer heads + Shank Hexagon size 28*410 length (Unit: mm)



Tooth distance: 12mm

Tooth high: 8mm

Length*width: 60*60mm

6. Tamping plate + Shank Hexagon size 28*394 length (Unit: mm)

Length*width: 150*150mm



7. Big flat spade+ Shank Hexagon size 30*296 length (Unit: mm)

Length*width: 170*150mm



8. Lubricate oil one bottle(60g)



2. Safety instructions

In this operator's manual/or machine's labels following symbols are used:



Read the manual carefully



Accordance with essential applicable safety of European directives



Double insulation



Denote risk of personal injury, loss of life or damage to the tool in case of nonobservance of the instruction in this manual.



Indicate electrical shock hazard.



Immediately unplug the plug from the main electricity in the case that the cord gets damage and during maintenance.



Wear ear and eye protection.



Faulty and /or discarded electrical or electronic apparatus have to be collected at the appropriate recycling location.

General Power Tool Safety Warnings



Read all safety warnings and all instructions. *Failure to follow all warnings and instructions may result in electric shock, fire and/or serious injury.*

Save all warnings and instructions for future reference.

The term “power tool” in the warnings refer to your mains operated (corded) power tool or battery operated (cordless) power tool.

1) Work area

- a) **Keep work area clean and well lit.** *Cluttered and dark areas invite accidents.*
- b) **Do not operate power tools in explosive atmospheres, such as in the presence of flammable liquids, gases or dust.** *Power tools create sparks which may ignite the dust or fumes.*
- c) **Keep children and bystanders away while operating a power tool.** *Distractions can cause you to lose control.*

2) Electrical safety

- a) **Power tool plugs must match the outlet. Never modify the plug in any way. Do not use any adapter plugs with earthed (grounded) power tools.** *Unmodified plugs and matching outlets will reduce risk of electric shock.*
- b) **Avoid body contact with earthed or grounded surfaces such as pipes, radiators, ranges and refrigerators.** *There is an increased risk of electric shock if your body is earthed or grounded.*
- c) **Do not expose power tools to rain or wet conditions.** *Water entering a power tool will increase the risk of electric shock.*
- d) **Do not abuse the cord. Never use the cord for carrying, pulling or unplugging the power tool. Keep cord away from heat, oil, sharp edges or moving parts.** *Damaged or entangled cords increase the risk of electric shock.*
- e) **When operating a power tool outdoors, use an extension cord suitable for outdoor use.** *Use of a cord suitable for outdoor use reduces the risk of electric shock.*
- f) **If operating a power tools in a damp location is unavoidable, use a residual current device (RCD) protected supply.** *Use of an RCD reduces the risk of electric shock.*

3) Personal safety

- a) **Stay alert, watch what you are doing and use common sense when operating a power tool. Do not use a power tool while you are tired or under the influence of drugs, alcohol or medication.** *A moment of inattention while operating power tools may result in serious personal injury.*
- b) **Use safety equipment. Always wear eye protection.** *Safety equipment such as dust mask, non-skid safety shoes, hard hat, or hearing protection used for appropriate conditions will reduce personal injuries.*
- c) **Avoid accidental starting. Ensure the switch is in the off position before plugging in.** *Carrying power tools with your finger on the switch or plugging in power tools that have the switch on invites accidents.*
- d) **Remove any adjusting key or wrench before turning the power tool on.** *A wrench or a key left attached to a rotating part of the power tool may result in personal injury.*
- e) **Do not overreach. Keep proper footing and balance at all times.** *This enables better control of the power tool in unexpected situations.*
- f) **Dress properly. Do not wear loose clothing or jewellery. Keep your hair, clothing and gloves away from moving parts.** *Loose clothes, jewellery or long hair can be caught in moving parts.*
- g) **If devices are provided for the connection of dust extraction and collection facilities, ensure these are connected and properly used.** *Use of these devices can reduce dust related hazards.*

4) Power tool use and care

- a) **Do not force the power tool. Use the correct power tool for your application.** *The correct power tool will do the job better and safer at the rate for which it was designed.*
- b) **Do not (use the power tool if the switch does not turn it on and off.** *Any power tool that cannot be controlled with the switch is dangerous and must be repaired.*
- c) **Disconnect the plug from the power source before making any adjustments, changing accessories, or storing power tools.** *Such preventive safety measures reduce the risk of starting the power tool accidentally.*
- d) **Store idle power tools out of the reach of children and do not allow persons unfamiliar with the power tool or these instructions to operate the power tool.** *Power tools are dangerous in the hands of untrained users.*
- e) **Maintain power tools. Check for misalignment or binding of moving parts, breakage of parts and any other condition that may affect the power tools operation. If damaged, have**

the power tool repaired before use. *Many accidents are caused by poorly maintained power tools.*

f) Keep cutting tools sharp and clean. *Properly maintained cutting tools with sharp cutting edges are less likely to bind and are easier to control;*

g) Use the power tool, accessories and tool bits etc., in accordance with these instructions and in the manner intended for the particular type of power tool, taking into account the working conditions and the work to be performed. *Use of the power tool for operations different from intended could result in a hazardous situation.*

5) Service

a) Have your power tool serviced by a qualified repair person using only identical replacement parts. *This will ensure that the safety of the power tool is maintained.*

Special Warning for Electric hammer

- **Wear ear protection.** *Exposure to noise can cause hearing loss.*
- **Use auxiliary handle with the tool.** *Loss of control can cause personal injury.*
- **Hold Power tool by insulated gripping surfaces, when performing an operation where the cutting accessory may contact hidden wiring or its own cord.** *Cutting accessory contacting a "live" wire may make exposed metal parts of the power tool "live" and could give the operator an electric shock.*
- **Wear a dust mask.**

Additional safety rules:



1. Wear a hard hat (safety helmet), safety glasses and /or face shield. It is also highly recommended that you wear a dust mask, ear protectors and thickly padded gloves.
2. Be sure the bit is secured in place before operation.
3. Under normal operation, the machine is designed to produce vibration, the screws and bolts can come loose, causing a breakdown and accidents. Check tightness of them carefully before running.
4. In cold weather or a long time tool not be used, please keep the tool running without load a few minutes to warm up the grease inside, otherwise hammering function is difficult to get.
5. Be sure you stand stably and no one is below when you using tool is in high location.
6. Hold the tool firmly with two hands.
7. Don't touch any moving parts.
8. Don't leave the tool running itself, operate tool only when hand-held.
9. Don't point the tool to anybody for the bit could fly out in case.
10. When chipping into walls, floors or wherever "live" electrical wire may be encountered, **DON'T TOUCH ANY METAL PARTS OF THE TOOL!** Hold the tool by the insulated grasping surface to prevent electric shock if you chip into a "live" wire.
11. Don't touch the BIT OR PARTS CLOSE TO THE BIT immediately after operation, they may extremely hot and could burn your skin.
12. Any damage and abnormal happen, please stop to use immediately and disconnect it, ask authorized



serve center to check and repair.

13. Parts replace: Only original can be used to replace by authorized service center.

14. Right use accessories and parts: Don't use other parts and accessories which not mentioned in the manual otherwise may cause injuries!

15. Special attention to voltage: Before connect the power tool, please make sure the rated voltage on the tool can match the power supply, otherwise the power tool may be damaged and cause injuries.

16. Don't wipe plastic part with solvent: Solvent such as gasoline, thinner, alcohol etc. these kind of chemical material, are not allowed to use, water or soap are recommended!

17. In case of damages the replacement of the plug or the supply cord shall always be carried out by the manufacturer of the tool or his service organization

Residual risks

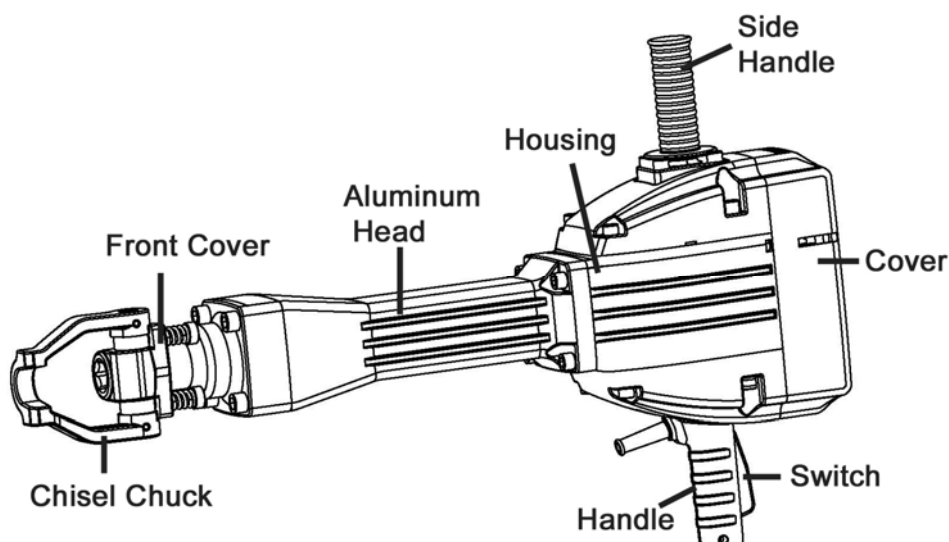
Even when the power tool is used as prescribed it is not possible to eliminate all residual risk factors. The following hazards may arise in connection with the power tool's construction and design:

- a) Injuries and damage to property to due to broken accessories that are suddenly dashed.
- b) Health defects resulting from vibration emission if the power tool is being used over longer period of time or not adequately managed and properly maintained.
- c) Lung damage if don't use dusk mask.
- d) Hearing damage if don't use ear protection.

⚠ Warning! This power tool produces an electromagnetic field during operation. This field may under some circumstances interfere with active or passive medical implants. To reduce the risk of serious or fatal injury, we recommend persons with medical implants to consult their physician and the medical implant manufacturer before operating this power tool.

3. Assembly

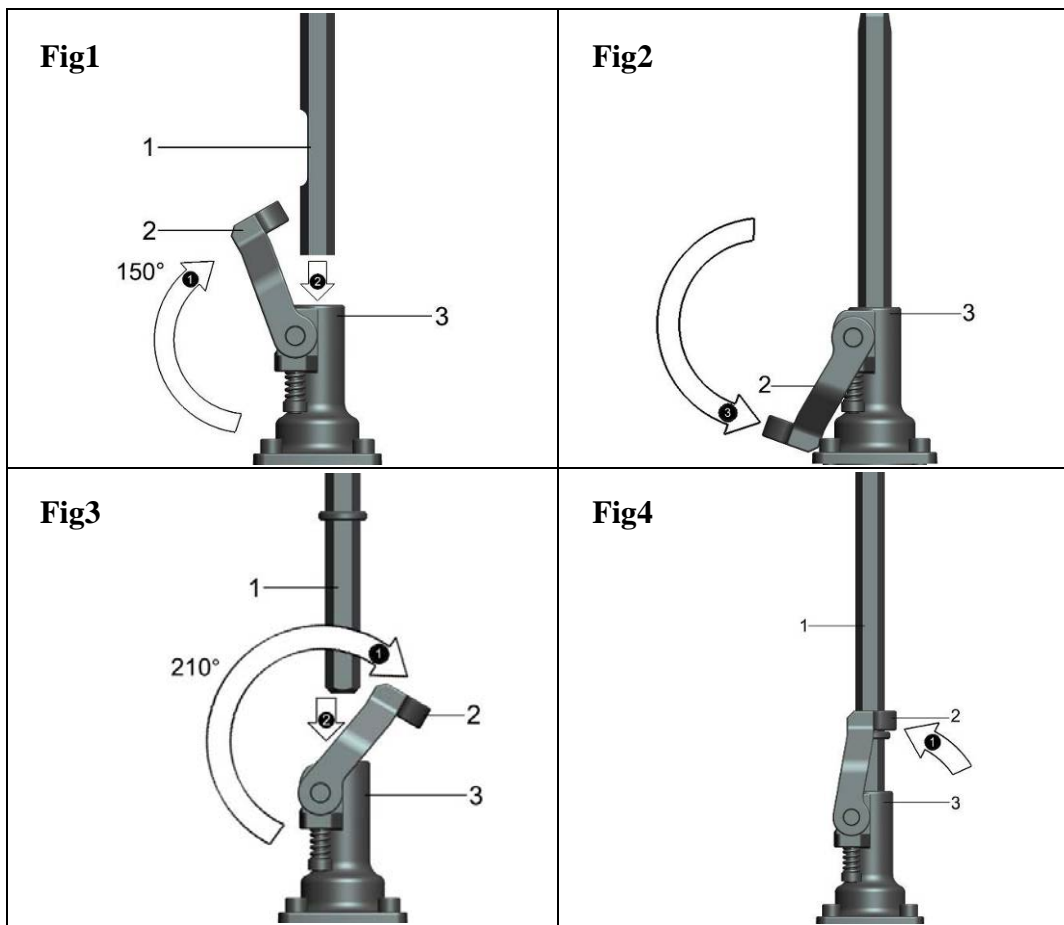
Name of the parts



Mounting tool bits



Warning: before do it, make sure unplug the machine!



Clean the shank of bit and put some grease

The assembly of bit without the shoulder(with groove) (see Fig 1 & Fig 2)

Operate the lock part **2** to 150 Degree position, insert the bit **1** into the holder **3**.

Operate the lock part **2** back, pull the bit **1** to check if it was locked.

When disassembling, repeat operating lock part **2** to 150 Degree as Fig 1, then pull out the bit from holder **3**.

The assembly if bit with shoulder (see Fig 3 & Fig 4)

The shank length can be 160mm(6 3/8 inch) (Length from shank end to the shoulder)

Operate the lock part **2** to 210 Degree position, insert the bit **1** into the holder **3**.

Operate the lock part **2** to 180 degree position, can lock the bit. Attention: The shoulder position should be between lock part **2** and holder **3**.

Operate the lock part **2** back, pull the bit **1** to check if it was locked.

When disassembling, repeat operating lock part **2** to 210 Degree as Fig 3, then pull out the bit from holder **3**.

Remarking: When you removing the accessory, such as a bull point, a cutter etc..., follow above procedure in reverse order.

4. Operation

Prior to operation

1. Power source

Ensure that the power source to be utilized conforms to the power requirements which specified on the name plate of the hammer.

2. Power switch

Ensure that the power switch is in the position of OFF. If the plug is connected to power receptacle while the power switch is in ON position, the demolition hammer will start operation immediately, which can cause serious accident!

3. Extension cord

When the work area is removed from the power source, use an extension cord of sufficient thickness and rated capacity. The extension cord should be kept as short as practicable.

Operation

1. Switch operation



Switch on	Press the switch towards ①direction
Switch off	Release the switch towards ②direction

2. Operate this demolition hammer by utilizing outside force. The performance will be better if it is pressed or thrust with properly force against the work surface.

Note:

Sometimes the power tool does not begin the striking the stroke even the motor keep running, because oil inside become thick. If the power tool is used at a low temperature, or it is used after a long idle time, this demolition hammer should be kept running for above 5 minutes to warm up.

5. Maintenance



Before do any maintenance, ensure unplug the plug.

GREASE AND OIL FILLING

Demolition hammer mechanical part is easy to get worn and lose impact energy if without enough lubrication, recommend filling grease and oil after 6 months usage. The steps as follows:



Fig 1



Fig 2



Fig 3



Fig 4



Fig 5



Fig 6



Fig 7



Fig 8

1. Loosen the 4 screws between aluminum head and gear box by 12mm HEX head wrench.(See Fig1)
2. Disassemble the aluminum head, cylinder and piston.(See Fig2)
3. Clean the inside of aluminum head, must be free of metal chip and granular dust (See Fig3)
4. Clean the piston and cylinder.(See Fig4)

- a) Clean the cylinder both inside and outside, especially clean the inside of cylinder, must be free of metal chip and granular dust. If the conditional, recommend washing by gasoline.
 - b) Clean the surface of piston. 。 If the conditional, recommend disassembling the O-ring and washing the piston by gasoline.
 - c) At the same time, check the wearing condition of O-ring. If the Outside Diameter (O.D.) of O-ring is less than the piston O.D., please replace the O-ring to get proper performance.(Please contact with our authorized dealer to purchase, the part No 56).
5. Fill the grease into the aluminum head, please make sure cleaned inside before filling.
- a) Recommend the grease from manufacturer site, there is a tube of 60g grease included the case. (Please contact with our authorized dealer to purchase, the part No 108).
- Notice:** There are 4 grooves in the aluminum head, Please fill the grease in all these 4 grooves by 15g in each, and total 60g grease. (See Fig 5 and Fig 6)
6. Fill the 15 g oil in the cylinder; please make sure it is clean before filling. (See Fig 7)
7. Assemble back(See Fig 8)
- a) Assemble the piston into cylinder, please make sure if the O-ring has been assembled.
 - b) Assemble the cylinder into aluminum head.
 - c) Tighten the 4 inner HEX head screws; be careful of no missing spring washer. If tighten the screws by electrical or pneumatic driver, please check the torque of screw by 12mm wrench to make sure tightening properly.
 - d) If the conditional, can put glue on the screw and then screw in(repeat the step above C)

***Suggestion: All above operations to be carried out by our authorized service agent.**

Maintenance and inspection



Before do any maintenance, ensure unplug the plug.

1. Inspecting the demolition hammer

Use a dull accessory, such as bull point, cutter, etc., will cause motor malfunction and efficiency degraded. Replace with a new one when your accessory is abased.

2. Inspecting the mounting screws

Regularly inspect all mounting screws and ensure that they are properly tightened. Any loose should be tighten immediately, failure to do maybe cause serious hazard.

3. Inspecting the bit retainer

The retainer may become loose due to excessive use. Make sure the bit shank position is hold securely, if any wear or damage is found, ask the authorized service people to maintenance.

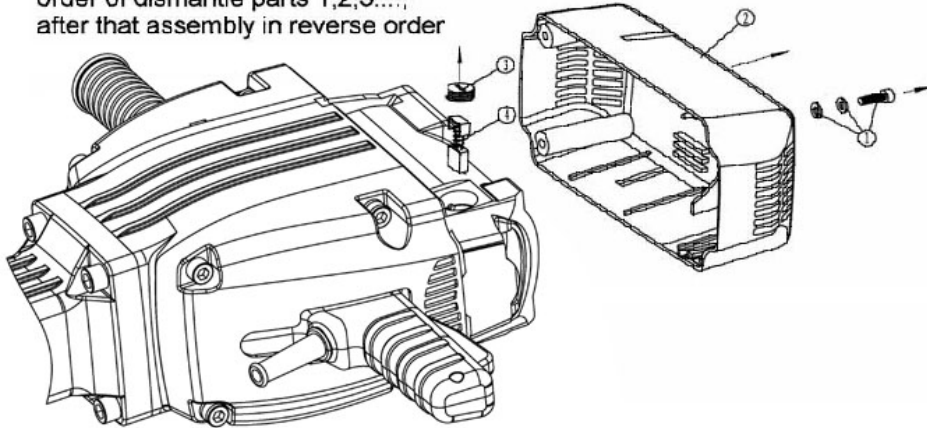
4. Maintenance the motor

The motor is the heart of the machine, please avoid any damage to the winding, or any water and oil to wet it.

5. Carbon brush replacements

Carbon brushes are consumable parts, when it becomes worn or "limit worn" it can cause motor trouble, we use auto-stop carbon brush, it stopped automatically when carbon brush worn out, at that time, replace a new couple of them as we offered.

Replace the carbon brush as the order of dismantle parts 1,2,3....., after that assembly in reverse order



1	$\phi 6$ flat washer Hexagon socket Bolt M6X20
2	Fan cover
3	The cover of carbon brush holder
4	Carbon brush

Remark: after carbon brush replacement, please make sure all of the screws are tightened enough!

6. Cleaning

Clean the machine regularly with a soft cloth, preferably after each use. Solvent such as gasoline, thinner, alcohol etc.. These kind of chemical materials are not allowed to use, water or soap are recommended!

7. Warranty

For the condition of warranty, please refer to the separately provided warranty card.

Environment



Faulty and /or discarded electrical or electronic apparatus have to be collected at the appropriate recycling location.