

# XINPU

## Demolition Hammer

Model: *XP-G65BH*

## HANDLING INSTRUCTIONS



**With active vibration reducing system**



### Original Instructions

though these **HANDLING INSTRUCTIONS**. Ensure that you know how the machine works, and how it should be operated. Maintain the machine in accordance with the instructions, and make certain that the machine work correctly, please store this instruction and other enclosed documents with the machine together



Bj:2012

Zhejiang Xinpu Industrial & Commercial Co., Ltd.

106, No. 330 National Road, Huajie Industrial Zone, Yongkang City, Zhejiang 321300, P. R. China

# Application

This hammer should be applied to breaking concrete, chipping off concrete, grooving, bar cutting, and driving piles in installation of piping and wiring, unitary facility installation, machinery installation water supply, and drainage work, interior jobs, harbor facilities and other civil engineering work etc..

## Contents

1. Machine information
2. Safety instruction
3. Assembly
4. Operation
5. Maintenance
6. Cleaning
7. Warranty

## 1. Machine information

### Technical specifications

Machine Type	XP-G65BH
Voltage	AC 220-240V
Frequency	50Hz
Input power	2000W
Impact rate	1500/min
Weight	20.2kg
Impact energy	55 J
Bit lock style	28mm hexagon flat shank lock system
Sound pressure values (in accordance with 2000/14/EC)	105.6dB (A)
Guaranteed Sound power values (in accordance with 2000/14/EC)	106dB (A)
Vibration	Main handle: $a_{h,Cheq}$ : 15.340m/s <sup>2</sup> $k=1.5m/s^2$ Auxiliary handle: $a_{h,Cheq}$ : 12.028m/s <sup>2</sup> $k=1.5 m/s^2$

**Note:** Noise and vibration values are determined acc. to EN 60745-1 and EN 60745-2-6.

**Note:** The declared vibration value has been measured in accordance with a standard test method and may be used for comparing one power tool with another.

The declared vibration value may also be used to evaluate the exposure for the user caused by vibration in advance.



**Warning!** Depending on the actual use of the power tool the vibration values can differ from the declared total.

Adopt proper measures to protect yourself against vibration exposures. Take the whole work process including times the power tool is running under no load or switched off into consideration.

Proper measures include among others regular maintenance and care of the power tool and application tools, keeping hands warm, periodical breaks and proper planning of work processes.

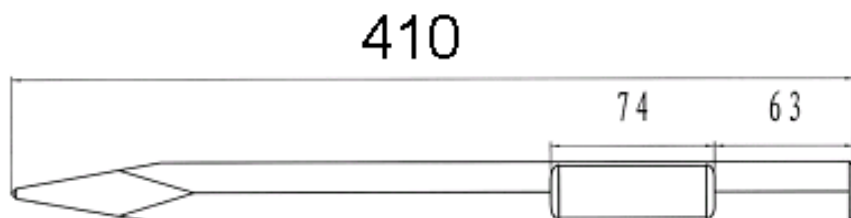
## Standard accessories

Hexagon bar wrench 6mm(for M8)	1 piece
Hexagon bar wrench 5mm(for M6)	1 piece
Hexagon bar wrench 4mm(for M5)	1 piece
Amphibious screwdriver	1 piece
One bottle of grease	60g
Bull point chisel(28*410mm)	1 piece
flat chisel(28*410mm)	1 piece
Carbon brush(7*17*18mm)	1 couple

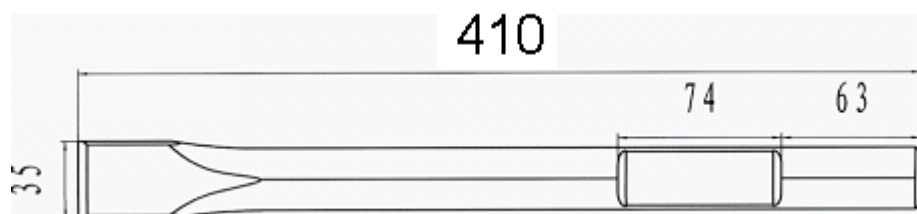
## Optional accessories (sold separately)

Notice: Optional accessories (sold separately) are recommended only for **XINPU** tool for specified purpose in manual, any other brand accessories or attachments used may present risk of injury.

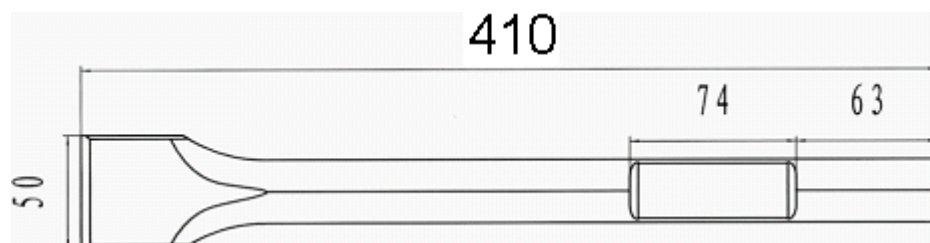
### 1. Bull point Hexagon size28\*410 length (Unit: mm)



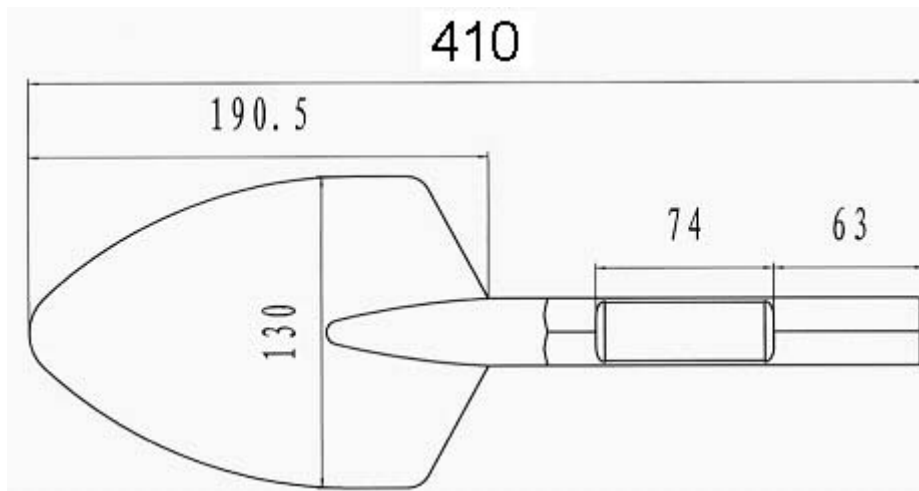
### 2. Flat chisel Hexagon size28\*410 length (Unit: mm)



### 3. Cutter Hexagon size28\*410 length (Unit: mm)



**4. Scoop Hexagon size28\*410 length (Unit: mm)**



**5. Bush hammer heads + Shank Hexagon size28\*410 length (Unit: mm)**



**Tooth distance: 12mm**  
**Tooth high: 8mm**  
**Length\*width: 60\*60mm**

**6. Tamping plate + Shank Hexagon size28\*394 length (Unit: mm)**



**Length\*width: 150\*150mm**

**7. Big flat spade+ Shank Hexagon size28\*296 length (Unit: mm)**



**Length\*width: 170\*150mm**

**8. Square spade Hexagon size28\*440 length (Unit: mm)**



## 9. Lubricate oil one bottle(60g)



## 2. Safety instructions

In this operator's manual/or machine's labels following symbols are used:



Read the manual carefully



Accordance with essential applicable safety of European directives



Double insulation



Denote risk of personal injury, loss of life or damage to the tool in case of nonobservance of the instruction in this manual.



Indicate electrical shock hazard.



Immediately unplug the plug from the main electricity in the case that the cord gets damage and during maintenance.



Wear ear and eye protection.



Faulty and /or discarded electrical or electronic apparatus have to be collected at the appropriate recycling location.



The guaranteed Noise Value according to Noise Directive

# General Power Tool Safety Warnings



**Read all safety warnings and all instructions.** *Failure to follow all warnings and instructions may result in electric shock, fire and/or serious injury.*

**Save all warnings and instructions for future reference.**

The term “power tool” in the warnings refer to your mains operated (corded) power tool or battery operated (cordless) power tool.

## 1) Work area

- a) **Keep work area clean and well lit.** *Cluttered and dark areas invite accidents.*
- b) **Do not operate power tools in explosive atmospheres, such as in the presence of flammable liquids, gases or dust.** *Power tools create sparks which may ignite the dust or fumes.*
- c) **Keep children and bystanders away while operating a power tool.** *Distractions can cause you to lose control.*

## 2) Electrical safety

- a) **Power tool plugs must match the outlet. Never modify the plug in any way. Do not use any adapter plugs with earthed (grounded) power tools.** *Unmodified plugs and matching outlets will reduce risk of electric shock.*
- b) **Avoid body contact with earthed or grounded surfaces such as pipes, radiators, ranges and refrigerators.** *There is an increased risk of electric shock if your body is earthed or grounded.*
- c) **Do not expose power tools to rain or wet conditions.** *Water entering a power tool will increase the risk of electric shock.*
- d) **Do not abuse the cord. Never use the cord for carrying, pulling or unplugging the power tool. Keep cord away from heat, oil, sharp edges or moving parts.** *Damaged or entangled cords increase the risk of electric shock.*
- e) **When operating a power tool outdoors, use an extension cord suitable for outdoor use.** *Use of a cord suitable for outdoor use reduces the risk of electric shock.*
- f) **If operating a power tools in a damp location is unavoidable, use a residual current device (RCD) protected supply.** *Use of an RCD reduces the risk of electric shock.*

## 3) Personal safety

- a) **Stay alert, watch what you are doing and use common sense when operating a power tool. Do not use a power tool while you are tired or under the influence of drugs, alcohol or medication.** *A moment of inattention while operating power tools may result in serious personal injury.*
- b) **Use safety equipment. Always wear eye protection.** *Safety equipment such as dust mask, non-skid safety shoes, hard hat, or hearing protection used for appropriate conditions will reduce personal injuries.*
- c) **Avoid accidental starting. Ensure the switch is in the off position before plugging in.** *Carrying power tools with your finger on the switch or plugging in power tools that have the*

*switch on invites accidents.*

- d) **Remove any adjusting key or wrench before turning the power tool on.** *A wrench or a key left attached to a rotating part of the power tool may result in personal injury.*
- e) **Do not overreach. Keep proper footing and balance at all times.** *This enables better control of the power tool in unexpected situations.*
- f) **Dress properly. Do not wear loose clothing or jewellery. Keep your hair, clothing and gloves away from moving parts.** *Loose clothes, jewellery or long hair can be caught in moving parts.*
- g) **If devices are provided for the connection of dust extraction and collection facilities, ensure these are connected and properly used.** *Use of these devices can reduce dust related hazards.*

#### 4) Power tool use and care

- a) **Do not force the power tool. Use the correct power tool for your application.** *The correct power tool will do the job better and safer at the rate for which it was designed.*
- b) **Do not use the power tool if the switch does not turn it on and off.** *Any power tool that cannot be controlled with the switch is dangerous and must be repaired.*
- c) **Disconnect the plug from the power source before making any adjustments, changing accessories, or storing power tools.** *Such preventive safety measures reduce the risk of starting the power tool accidentally.*
- d) **Store idle power tools out of the reach of children and do not allow persons unfamiliar with the power tool or these instructions to operate the power tool.** *Power tools are dangerous in the hands of untrained users.*
- e) **Maintain power tools. Check for misalignment or binding of moving parts, breakage of parts and any other condition that may affect the power tools operation. If damaged, have the power tool repaired before use.** *Many accidents are caused by poorly maintained power tools.*
- f) **Keep cutting tools sharp and clean.** *Properly maintained cutting tools with sharp cutting edges are less likely to bind and are easier to control;*
- g) **Use the power tool, accessories and tool bits etc., in accordance with these instructions and in the manner intended for the particular type of power tool, taking into account the working conditions and the work to be performed.** *Use of the power tool for operations different from intended could result in a hazardous situation.*

#### 5) Service

- a) **Have your power tool serviced by a qualified repair person using only identical replacement parts.** *This will ensure that the safety of the power tool is maintained.*

### Special Warning for Electric hammer

- **Wear ear protection.** *Exposure to noise can cause hearing loss.*
- **Use auxiliary handle with the tool.** *Loss of control can cause personal injury.*
- **Hold Power tool by insulated gripping surfaces, when performing an operation where the cutting accessory may contact hidden wiring or its own cord.** *Cutting accessory contacting a "live" wire may make exposed metal parts of the power tool "live" and could give the operator an electric shock.*

- **Wear a dust mask.**

### **Additional safety rules:**

1. Wear a hard hat (safety helmet), safety glasses and /or face shield. It is also highly recommended that you wear a dust mask, ear protectors and thickly padded gloves.
2. Be sure the bit is secured in place before operation.
3. Under normal operation, the machine is designed to produce vibration, the screws and bolts can come loose, causing a breakdown and accidents. Check tightness of them carefully before running.
4. In cold weather or a long time tool not be used, please keep the tool running without load a few minutes to warm up the grease inside, otherwise hammering function is difficult to get.
5. Be sure you stand stably and no one is below when you using tool is in high location.
6. Hold the tool firmly with two hands.
7. Don't touch any moving parts.
8. Don't leave the tool running itself, operate tool only when hand-held.
9. Don't point the tool to anybody for the bit could fly out in case.
10. When chipping into walls, floors or wherever "live" electrical wire may be encountered, **DON'T TOUCH ANY METAL PARTS OF THE TOOL!** Hold the tool by the insulated grasping surface to prevent electric shock if you chip into a "live" wire.
11. Don't touch the BIT OR PARTS CLOSE TO THE BIT immediately after operation, they may extremely hot and could burn your skin.
12. Any damage and abnormal happen, please stop to use immediately and disconnect it, ask authorized serve center to check and repair.
13. **Parts replace:** Only original XINPU's parts can be used to replace by authorized service center.
14. **Right use accessories and parts:** Don't use other parts and accessories which not mentioned in the manual otherwise may cause injuries!
15. **Special attention to voltage:** Before connect the power tool, please make sure the rated voltage on the tool can match the power supply, otherwise the power tool may be damaged and cause injuries.
16. **Don't wipe plastic part with solvent:** Solvent such as gasoline, thinner, alcohol etc. these kind of chemical material, are not allowed to use, water or soap are recommended!
17. In case of damages the replacement of the plug or the supply cord shall always be carried out by the manufacturer of the tool or his service organization



### **Residual risks**

**Even when the power tool is used as prescribed it is not possible to eliminate all residual risk factors. The following hazards may arise in connection with the power tool's construction and design:**

- a) Injuries and damage to property to due to broken accessories that are suddenly dashed.
- b) Health defects resulting from vibration emission if the power tool is being used over longer period of time or not adequately managed and properly maintained.
- c) Lung damage if don't use dusk mask.
- d) Hearing damage if don't use ear protection.

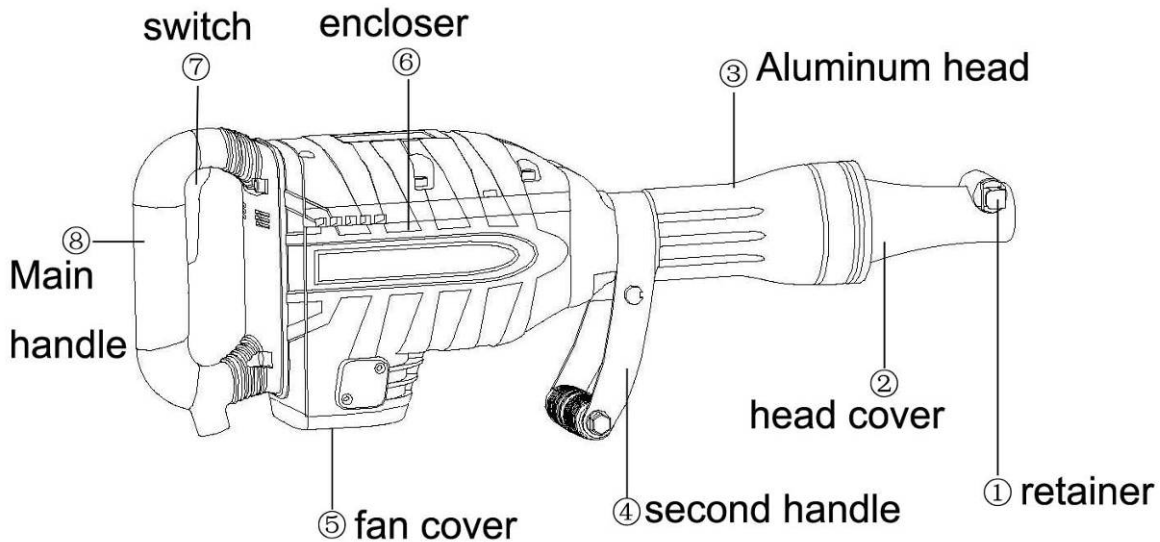


**Warning!** This power tool produces an electromagnetic field during operation. This field may under some circumstances interfere with active or passive medical implants. To reduce the risk of serious or fatal injury, we recommend persons with medical implants to consult their physician and the medical implant manufacturer before operating this power tool.



### 3. Assembly

#### Name of the parts



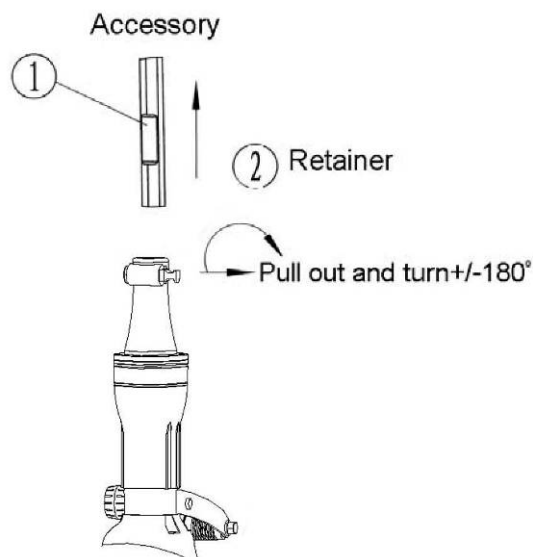
1	Retainer
2	Head cover
3	Aluminum head
4	Second handle
5	Fan cover
6	Encloser
7	Switch
8	Main handle

#### Mounting tool bits

**Warning: before do it, make sure unplug the machine!**



- (1) Pull out of the retainer "2", turning 180° clockwise or anticlockwise, insert the accessory shank portion "1" into the hole on the front cover.
- (2) Turning the retainer back into original position.



1	Accessory
2	Retainer
	<b>pull out and eurn+/-180</b>

**Remarking:** When you removing the accessory, such as a bull point, a cutter etc., follow above procedure in reverse order.

## 4. Operation

### Prior to operation

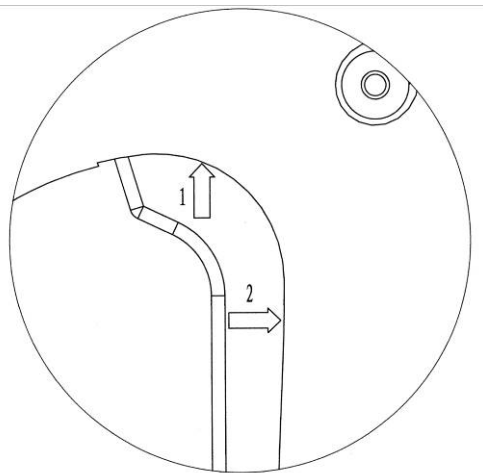
#### 1. Power source

Ensure that the power source to be utilized conforms to the power requirements which specified on the name plate of the hammer.

#### 2. Power switch

Ensure that the power switch is in the position of OFF. If the plug is connected to power receptacle while the power switch is in ON position, the demolition hammer will start operation immediately, which can cause serious accident!

### Switch operating



Switch ON	<b>Push to the top as arrow 1 direction; Push back to max. as arrow 2 direction(power source on), then push as arrow 1 direction to max.(lock switch).</b>
Switch OFF	<b>When press the switch button again, switch is to off positon.</b>

### Operation

1. Pull the trigger switch after applying the tip of the bit to crushing position. In some cases, it's necessary to punch the tip of the bit against the crushing position forcibly in order to begin the striking stroke. This is not due to malfunction of the power tool. It means that the safe guard mechanism against no-load striking is working.

2. Operate this demolition hammer by utilizing its own weight. The performance will not be better if it is pressed or thrust forcibly against the work surface. Hold with a force just sufficient to

counteract the reaction.

**Note:**

Sometimes the power tool does not begin the striking the stroke even the motor keep running, because oil inside become thick. If the power tool is used at a low temperature, or it is used after a long idle time, this demolition hammer should be kept running for above 5 minutes to warm up.

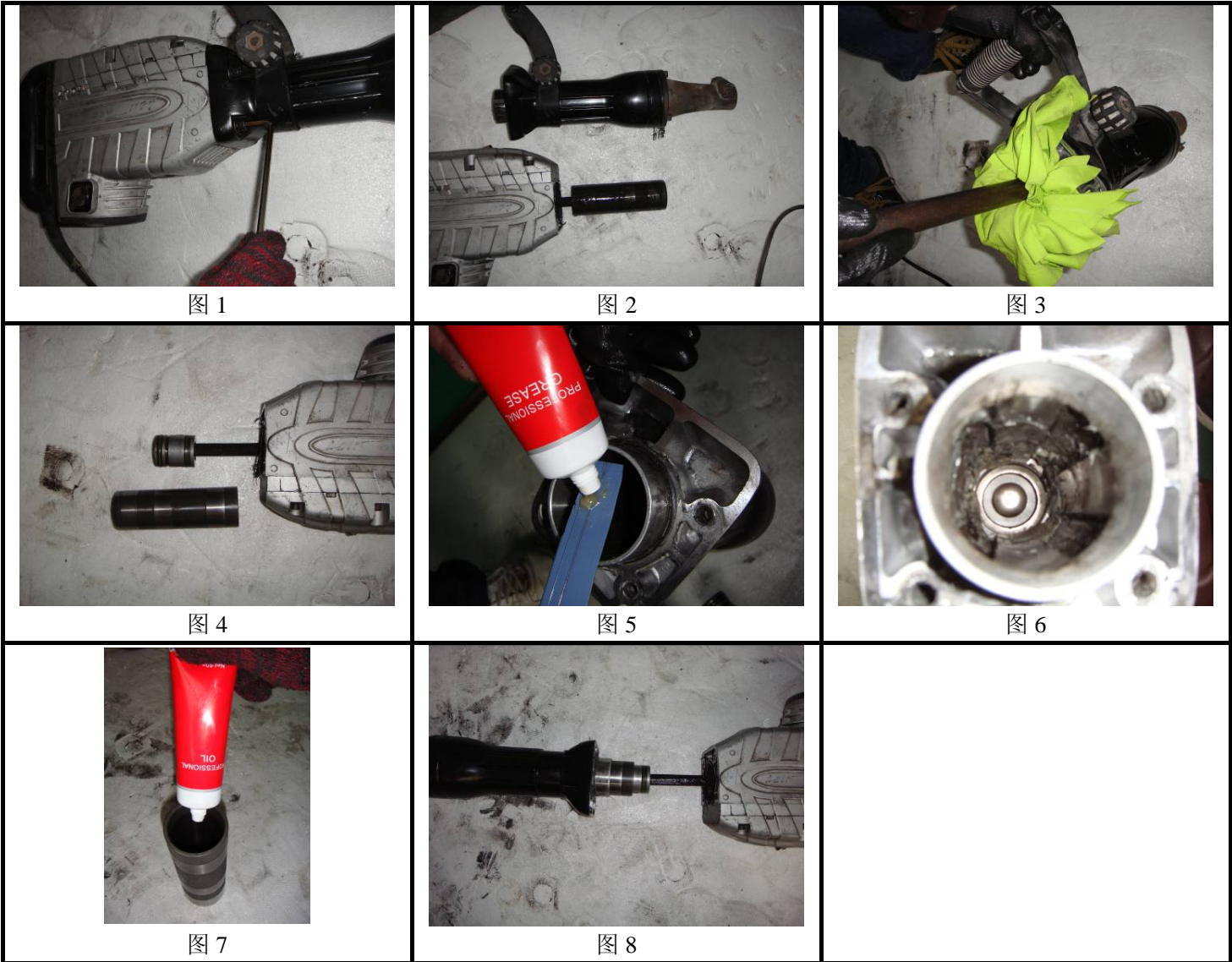
## 5. Maintenance

### GREASE AND OIL FILLING



**Warning!** Pull plug from power before any operations.

Demolition hammer mechanical part is easy to get worn and lose impact energy if without enough lubrication, recommend filling grease and oil after 6 months usage. The steps as follows:



1. Loosen the 4 screws between aluminum head and gear box by 6 mm HEX head wrench.(See Fig1)
  2. Disassemble the aluminum head, cylinder and piston.(See Fig2)
  3. Clean the inside of aluminum head, must be free of metal chip and granular dust (See Fig3)
  4. Clean the piston and cylinder.(See Fig4)
    - a) Clean the cylinder both inside and outside, especially clean the inside of cylinder, must be free of metal chip and granular dust. If the conditional, recommend washing by gasoline.
    - b) Clean the surface of piston. . If the conditional, recommend disassembling the O-ring and washing the piston by gasoline.
    - c) At the same time, check the wearing condition of O-ring. If the Outside Diameter (O.D.) of O-ring is less than the piston O.D. , please replace the O-ring to get proper performance.(Please contact with our authorized dealer to purchase, the part No 42A).
  5. Fill the grease into the aluminum head, please make sure cleaned inside before filling.
    - a) Recommend the grease from manufacturer site, there is a tube of 60g grease included the case. (Please contact with our authorized dealer to purchase, the part No 103).
- Notice:** There are 4 grooves in the aluminum head, Please fill the grease in all these 4 grooves by 7.5 g in each, and total 30 g grease. (See Fig 5 and Fig 6)
6. Fill the 12 g oil in the cylinder; please make sure it is clean before filling. (See Fig 7)
  7. Assemble back(See Fig 8)
    - a) Assemble the piston into cylinder, please make sure if the O-ring has been assembled.
    - b) Assemble the cylinder into aluminum head.
    - c) Tighten the 4 inner HEX head screws; be careful of no missing spring washer. If tighten the screws by electrical or pneumatic driver, please check the torque of screw by 6 mm wrench to make sure tightening properly.
    - d) If the conditional, can put glue on the screw and then screw in(repeat the step above C)

**\*Suggestion:** All above operations to be carried out by our authorized service agent.



## Maintenance and inspection

Before do any maintenance, ensure unplug the plug.

### 1. Inspecting the demolition hammer

Use a dull accessory, such as bull point, cutter, etc., will cause motor malfunction and efficiency degraded. Replace with a new one when your accessory is abased.

### 2. Inspecting the mounting screws

Regularly inspect all mounting screws and ensure that they are properly tightened. Any loose should be tighten immediately, failure to do maybe cause serious hazard.

### 3. Inspecting the bit retainer

The retainer may become loose due to excessive use. Make sure the bit shank position is hold securely, if any wear or damage is found, ask the authorized service people to maintenance.

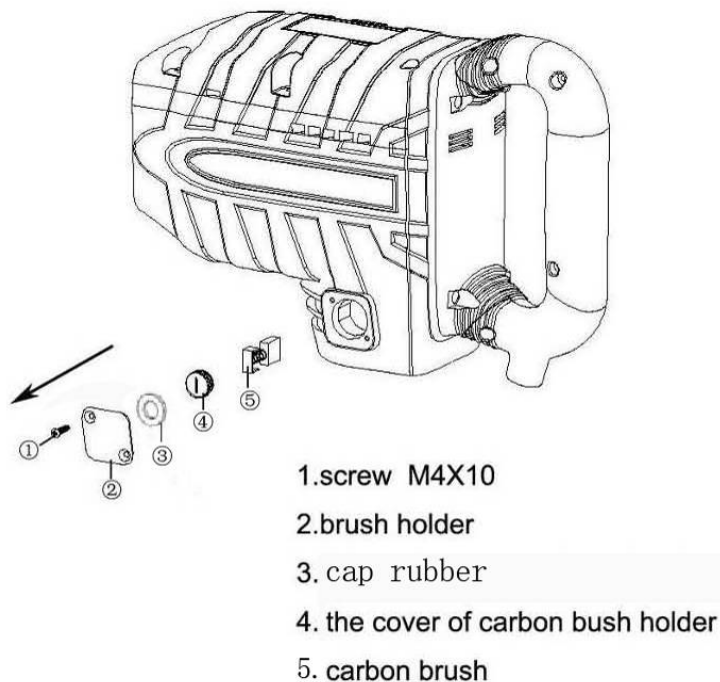
### 4. Maintenance the motor

The motor is the heart of the machine, please avoid any damage to the winding, or any

water and oil to wet it.

### 5. Carbon brush replacements

Carbon brushes are consumable parts, when it becomes worn or "limit worn" it can cause motor trouble, we use auto-stop carbon brush, it stopped automatically when carbon brush worn out, at that time, replace a new couple of them as following procedure:



- 1.screw M4X10
- 2.brush holder
- 3. cap rubber
- 4. the cover of carbon bush holder
- 5. carbon brush

1	<b>Screw M4x10</b>
2	<b>Brush holder</b>
3	<b>Cap rubber</b>
4	<b>The cover of carbon bush holder</b>
5	<b>Carbon brush</b>
	<b>When replace the carbon brush, just dismantle parts as order1,2,3..., after that assembly in reverse order</b>

**Remark:** after carbon brush replacement, please make sure all of the screws are tightened enough!

### 6. Cleaning

Clean the machine regularly with a soft cloth, preferably after each use. Solvent such as gasoline, thinner, alcohol etc.. These kind of chemical materials are not allowed to use, water or soap are recommended!

### 7. Warranty

For the condition of warranty, please refer to the separately provided warranty card.

### Environment



Faulty and /or discarded electrical or electronic apparatus have to be collected at the appropriate recycling location.

## EC Declaration of Conformity

We herewith declare,

**Zhejiang Xinpu Industrial & Commercial Co., Ltd.**

106 No. 330 National Road, Huajie Industrial Zone, Yongkang, Zhejiang 321300, P. R. China

*That the following machine complies with the appropriate basic safety and health requirements of the EC Directive based on its design and type, as brought into circulation by us.*

*In case of alteration of the machine, not agreed upon by us, this declaration will lose its validity*

*Machine Description:* **Demolition Hammer**

*Machine Type:* **XP-G65BH**

*rated voltage* **220-240V ~ 50Hz**

*power* **2000W**

*Applicable EC Directives:* **EC Machinery Directive: 2006/42/EC**

**EC- Low voltage directive 2006/95/EC**

**EC Directive of Electromagnetic Compatibility 2004/108/EC**

**Noise Directive :2000/14/EC amended by 2005/88/EC**

*Applicable Harmonized* **EN 60745-1:2009+A11; EN 60745-2-6:2010;**

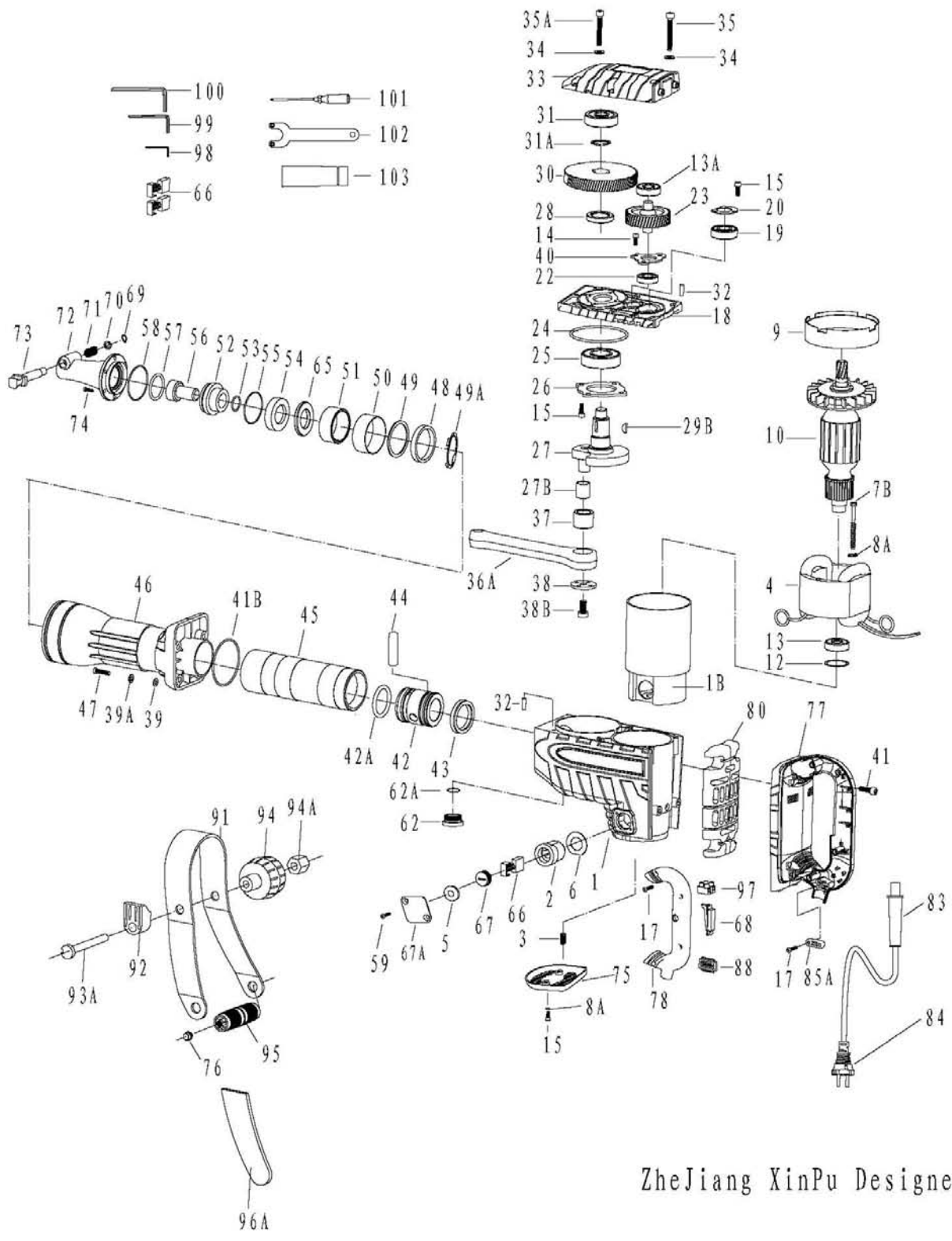
*Standards:* **EN 55014-1:2006+A1; EN 55014-2:1997+A1+A2**

**EN 61000-3-2:2006+A1+A2; EN 61000-3-3:2008**

---

It's our policy to continuously improve our products and we therefore reserve the right to change the product specification without prior notice.

# XP-G65BH Hammer Part Chart



ZheJiang XinPu Designed

## XP-G65BH Hammer Parts List

XP-No	Item No.	Part Describe	Quantity	XP-No	Item No.	Part Describe	Quantity
88290038	1	Housing Ass'y	1	88271010	44	Piston Pin	1
88261061	1B	Stator Ass'y	1	88271008	45	Cylinder	1
88241001	2	Brush Holder	2	88290041	46	Aluminum Head	1
88210046	3	Seal Lock Screw M5×8	2	88210021	47	Hex. Socket Bolt M8×40(12.9)	4
88280109	4	Stator 220V-240V	1	88261006	48	Big Urethane Ring	1
88280077	4	Stator 100V	1	88221012	49	Mouth Washer	1
88280075	4	Stator 110V-120V	1	88221035	49A	Protecting Support For Urethane Ring	1
88261002	5	Cap Rubber	2	88261008	50	Mouth Cover	1
88241010	6	Insulate Washer	2	88271009	51	Mouth	1
88210044	7B	Tapping Screw ST4.8×70	2	88271014	52	Shank Sleeve	1
88210055	8A	Φ5 Flat Washer	4	88261047	53	Fluorin O Ring Φ28×Φ5	1
88261023	9	Fan Guide	1	88261043	54	Small Urethane Ring	1
88280110	10	Armature 220V-240V	1	88261046	55	O Ring Φ62×Φ3	1
88280078	10	Armature 100V	1	88271015	56	Impact Hammer	1
88280076	10	Armature 110V-120V	1	88261045	57	Fluorin O RingΦ46.5×Φ5	1
88210063	12	Φ32 Urethane Washer	1	88261044	58	O Ring Φ74×Φ2	1
88231003	13	Ball Bearing 6201 2RS C3	1	88210028	59	Embedding Screws M4X10	4
88231002	13A	Ball Bearing 6201 2RZ C2	1	88261055	62	Oil Tank Cover	1
88210029	14	Embedding Screws M5×10	3	88261054	62A	O Ring Φ20×Φ2	1
88210002	15	Hex. Socket Bolt M5×12	9	88271016	65	Locking Ring	1
88210038	17	Tapping Screw ST4.2×18	6	88241021	66	Carbon Brush	2
88290039	18	Inner Cover	1	88241002	67	Brush Cap	2
88231004	19	Ball Bearing 6203 2RS C3	1	88221030	67A	Cap Cover	2
88221003	20	6203 2RS C3 Bearing Cover	1	88241023	68	Switch	1
88231001	22	Ball Bearing 6001 2RZ C2	1	88210065	69	Steel Wire Block Ring Φ8.5	1
88271002X	23	Counter Gear	1	88221026	70	Locking Lever Cover	1
88261040	24	O Ring Φ110×1.5	1	88221027	71	Lever Spring	1
88231017	25	Ball Bearing 6205 2RS C0	1	88271012-1	72	Front Cover	1
88221004	26	6205 2Z C2 Bearing Cover	1	88271013-1	73	Locking Lever	1
88271004	27	Crank Shaft	1	88210016	74	Hex. Socket Bolt M8×30(12.9)	6
88221036	27B	Crank Shaft Ring	1	88221031	75	Fan Cover	1
88221001	28	Distance Ring	1	88210048	76	Hex Head Screw M8×10	2
88221019	29B	Woodruff Key 4×16	2	88261056	77	Main Handle	1
88271001	30	Final Gear	1	88261057	78	Main Handle Cover	1
88233002	31	Ball Bearing 6302 2Z C2	1	88261058	80	Vibration Reducing Cushion	1
88210066	31A	Φ22 Retaining Ring	1	88261051	83	Cord Armor	1
88221017	32	Pin Φ5×14	2	88250000	84	Cord	1
88290040	33	Gear Cover	1	88261010	85A	Cord Clip	1
88210057	34	Φ6×Φ10.5 Flat Washer	6	88243008	88	Electricity Feels 0.18μH	1
88210138	35	Hex. Socket Bolt M6×55(12.9)	2	88221025	91	Side Handle Ass'y	1
88210136	35A	Hex. Socket Bolt M6×45(12.9)	4	88261029	92	Plastic Clip	2
88271006	36A	Connecting Rod Ass'y	1	88210047	93A	Long Screw M10×125	1
88234004	37	Needle Bearing NK 1820	1	88261030	94	Handle Knob	1
88221002	38	Crank Washer	1	88210071	94A	U-Nut M10×25	1
88210018	38B	Hex. Socket Bolt M8×1×35	1	88261020	95	Grip	1
88210059	39	Φ8 Flat Washer	4	88261021	96A	Side Handle Ass'y Cover	2
88210053	39A	Φ8 Spring Washer	4	88210076	97	Rivet	2
88221005	40	6001 2RZ C2 Bearing Cover	1	88301002	98	4mm Hex. Wrench	1
88210019	41	Nonstandard Hex. Screw M8×33	4	88301003	99	5mm Hex. Wrench	1
88261013	41B	O Ring Φ58×Φ2	1	88301004	100	6mm Hex. Wrench	1
88290021	42	Piston	1	88301007	101	Dual Screw Driver	1
88261053	42A	Fluorin O Ring Φ35×Φ5.5	1	80301011	102	Wrench For Tank Cover	1
88261052	43	L- Ring Φ35×7	1	88304020	103	Oil Bottle	1