

XINPU

Smart Hammer Trolley

Model: *XP-SHT005*

HANDLING INSTRUCTIONS



Before using this XINPU Smart Hammer Trolley, please carefully read

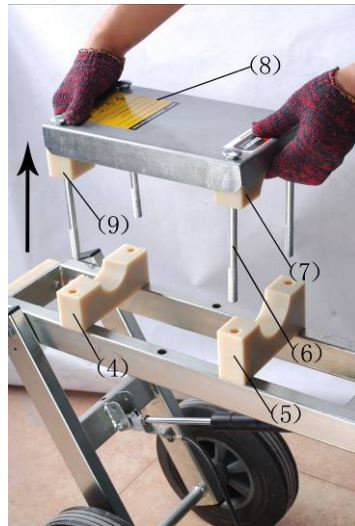
1



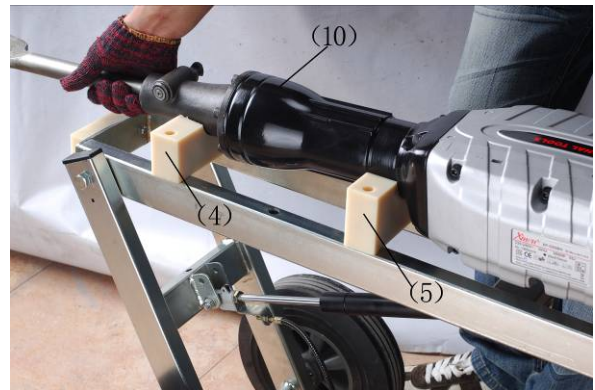
2



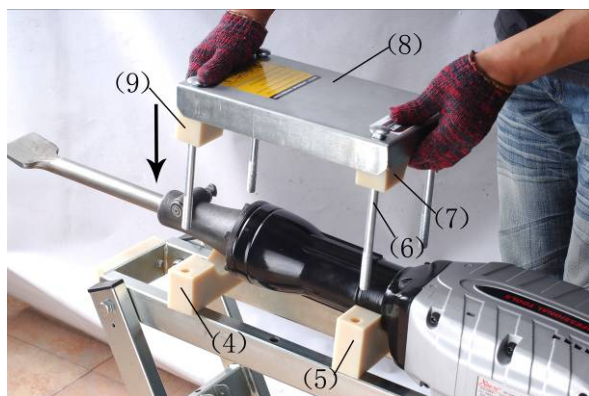
3



4



5



6



No.	<u>NAME</u>
1	Smart Hammer Trolley
2	18-19 special wrench
3	Prevailing torque type hexagon thin nuts with nonmetallic insert M12
4	Subjacent Clip block B
5	Upper Clip block B
6	Non-standard round head bolts M12×200
7	Upper Clip block A
8	Fixed Cover
9	Subjacent Clip block A
10	Demolition Hammer

PRODUCT SPECIFICATIONS

Features:
Weight: 24.8kg (without hammer)
Built in shock absorbtion
Huge angle range
Shock absorbing design
Suits most hammers
Durable zinc plated frame
Impact reducing ergonomic design
Machine Dimensions (without hammer):
Max Length: 1250mm
Max Height: 640mm
Max Width: 520mm

STANDARD ACCESSORIES

(1) 10-13 special wrench	2
(2) 16-18 special wrench	1
(3) 18-19 special wrench	1
(4) 5mm Hex Bar Wrench	1

Standard accessories are subject to change without notice.

SAFETY / OPERATING INSTRUCTIONS

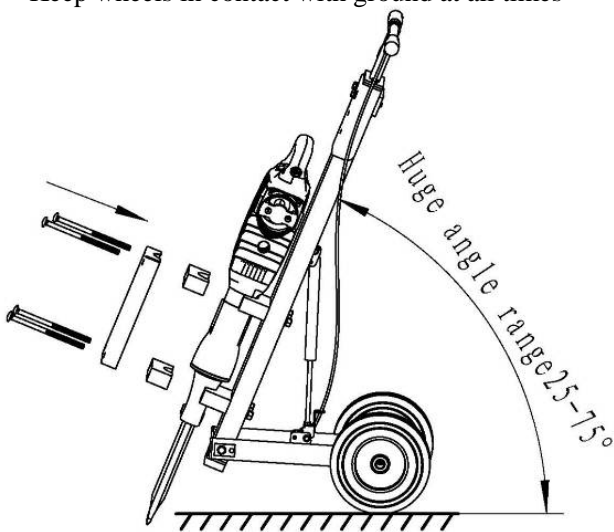
WARNING:

Read all instructions

Failure to follow all instructions listed below, may result in serious personal injury.

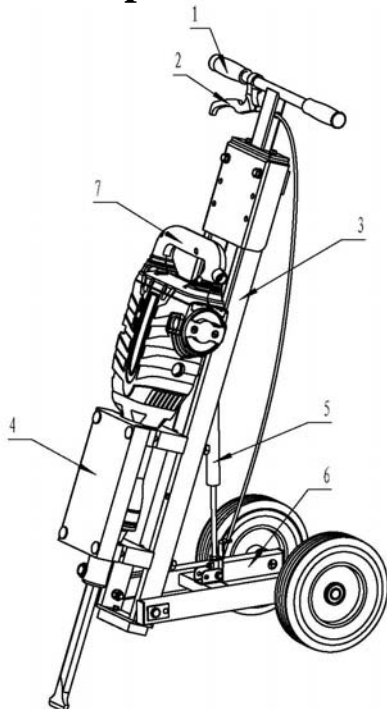
Save all warnings and instructions for future reference

- Ensuremoil is completely inserted and locked in place
- Use trigger lock whilst operating to keep machine running
- Keep feet and hands clear ofmoil at all times
- Keep wheels in contact with ground at all times



Smart Hammer Trolley - a revolutionary trolley helps you work smart. No more struggling or bending trying to handle heavy hammers, Smart Hammer Trolley Assistant takes the pain out of demolition. Lifts all types of lino and tiles, breaks rocks and blocks, cracks concrete and sandstone all with a minimum effort. With a wide angle range the Jack Hammer Trolley adapts to any situation.

Name of the parts



(1)	handlebar
(2)	regulating handle
(3)	support beam
(4)	clamping device
(5)	regulating device
(6)	chassis
(7)	demolition hammer

Installation Guide

1. Disassemble And Assemble The Clamping Device
 - (1) Use the No 18-19 special wrench to loose the four Prevailing torque type hexagon thin nuts with nonmetallic insert M12 according to the arrow direction,(chart 2)
 - (2) Loose the upper clip block A 、 subjacent clip block A、 Non-standard round head bolts M12×200 and the fixed cover according to the arrow direction.(chart 3)
 - (3) Put the demolition hammer into the correct location between the upper clip block B and subjacent clip block B.(chart 4)
 - (4) Fix the upper clip block A 、 subjacent clip block A、 Non-standard round head bolts M12×200 and the fixed cover according to the arrow direction.(chart 5)
 - (5) Use the No 18-19 special wrench to fix the four Prevailing torque type hexagon thin nuts with nonmetallic insert M12 according to the arrow direction,(chart 6)
 - (6) Take the contrary step when clamp the clamping device(chart 5、 6)
2. How to change the angle of the demolition hammer while running
Grip the regulating handle (2) then the angle of the support beam(3) can be changed,thus the angle of the demolition hammer changed.
3. Installation guide of the smart hammer Trolley
 - (1) since the demolition hammer is very heavy, before installation please keep the smart hammer trooly flat and steady.(chart 1)
 - (2) After loose the clamping device ,put the demolition hammer into the correct location between the upper clip block B and the subjacent clip block B. Make sure that the demolition is totally inserted and fixed. (chart 4)
 - (3) Fix the clamping device, make sure everything fixed well.

Operation

Workers can breaking when just hold the handlebar, Regulating the level of lifting devices to change the angle during the operation and moving, and it can also change the angle of the demolition hammer while running,Finally to adapt the different working conditions.

Service and Customer Assistance

Zhejiang Xinpu Industrial & Commercial Co., Ltd.

ADD:106, No. 330 National Road, Huajie Industrial Zone, Yongkang City, Zhejiang

Postakcide: 321300

TEL:++86 579 87292869/87292859

FAX:++86 579 87292868

Web Site:www.xinputools.com

Help you to work easily!