



## Demolition Hammer

Model: *XP-65RA*

### HANDLING INSTRUCTIONS



Before using this XINPU demolition hammer, please carefully read though these **HANDLING INSTRUCTIONS**. Ensure that you know how the machine works, and how it should be operated. Maintain the machine in accordance with the instructions, and make certain that the machine work correctly, please store this instriation and other enclosed documents with the machine together

# Application

This hammer should be applied to breaking concrete, chipping off concrete, grooving, bar cutting, and driving piles in installation of piping and wiring, unitary facility installation, machinery installation water supply, and drainage work, interior jobs, harbor facilities and other civil engineering work etc..

## Contents

1. Machine information
2. Safety instruction
3. Assembly
4. Operation
5. Maintenance

## 1. Machine information

### Technical specifications

Machine Type	XP-65RA
Voltage	AC 230V
Frequency	50Hz
Input power	1240W
Impact rate	1400/min
Weight	16.2kg
Impact energy	38J
Bit lock style	30mm hexagon flat shank lock system

### Standard accessories

Hexagon bar wrench 6mm(for M8)	1 piece
Hexagon bar wrench 5mm(for M6)	1 piece
Oil tank cover wrench	1 piece
One bottle of oil	60g (one bottle)
Bull point chisel(30*410mm)	1 piece
flat chisel(30*410mm)	1 piece
Carbon brush(6.5*17*18mm)	2 pieces

## Optional accessories (sold separately)

Notice: Optional accessories (sold separately) are recommended only for XINPU tool for specified purpose in manual, any other brand accessories or attachments used may present risk of injury.

### 1. Point chisel Hexagon size30\*410 length (Unit: mm)



### 2. Flat chisel Hexagon size30\*410 length (Unit: mm)



### 3. Big flat chisel Hexagon size30\*410 length\*50Cutting width (Unit: mm)



### 4. Groove chisel Hexagon size30\*410 length (Unit: mm)



### 5. Bend big flat chisel Hexagon size30\*410 length\*75 Cutting width (Unit: mm)



### 6. Tine spade Hexagon size30\*440 length (Unit: mm)



### 7. Square spade Hexagon size30\*440 length (Unit: mm)



**8. Bush hammer heads + Shank Hexagon size30\*410 length (Unit: mm)**



**Tooth distance: 12mm  
Tooth high: 8mm  
Length\*width: 60\*60mm**

**9. Tamping plate +Shank Hexagon size30\*394 length (Unit: mm)**



**Length\*width: 150\*150mm**

**10.Big flat spade+ Shank Hexagon size30\*296 length (Unit: mm)**



**Length\*width: 170\*150mm**

**11.Lubricate oil one bottle(60g)**



**12.4PCS KITS Hexagon size30\*410 length (Unit: mm)**



## 2. Safety instructions

In this operator's manual/or machine's labels following symbols are used:



Read the manual carefully



Denote risk of personal injury, loss of life or damage to the tool in case of nonobservance of the instruction in this manual.



Indicate electrical shock hazard.



Immediately unplug the plug from the main electricity in the case that the cord gets damage and during maintenance.




Wear ear and eye protection.



Faulty and /or discarded electrical or electronic apparatus have to be collected at the appropriate recycling location.

## General Power Tool Safety Warnings

 **WARNING** Read all safety warnings and all instructions *Failure to follow all warnings and instructions may result in electric shock, fire and/or serious injury.*

Save all warnings and instructions for future reference

*The term "power tool" in the warnings refer to your mains operated (corded) power tool or battery operated (cordless) power tool.*

### 1) Work area

- a) Keep work area clean and well lit. *Cluttered and dark areas invite accidents.*
- b) Do not operate power tools in explosive atmospheres, such as in the presence of flammable liquids, gases or dust. *Power tools create sparks which may ignite the dust or fumes.*
- c) Keep children and bystanders away while operating a power tool. *Distractions can cause you to lose control.*

### 2) Electrical safety

- a) Power tool plugs must match the outlet. Never modify the plug in any way. Do not use any adapter plugs with earthed (grounded) power tools. *Unmodified plugs and matching outlets will reduce risk of electric shock.*
- b) Avoid body contact with earthed or grounded surfaces such as pipes, radiators, ranges and refrigerators. *There is an increased risk of electric shock if your body is earthed or grounded.*
- c) Do not expose power tools to rain or wet conditions. *Water entering a power tool will increase the risk of electric shock.*
- d) Do not abuse the cord. Never use the cord for carrying, pulling or unplugging the power tool. Keep cord away from heat, oil, sharp edges or moving parts. *Damaged or entangled cords increase the risk of electric shock.*
- e) When operating a power tool outdoors, use an extension cord suitable for outdoor use. *Use of a cord suitable for outdoor use reduces the risk of electric shock.*
- f) If operating a power tools in a damp location is unavoidable, use a residual current device (RCD) protected supply. *Use of an RCD reduces the risk of electric shock.*

### 3) Personal safety

- a) Stay alert, watch what you are doing and use common sense when operating a power tool. Do not use a power tool while you are tired or under the influence of drugs, alcohol or medication. *A moment of inattention while operating power tools may result in serious personal injury.*

- b) Use safety equipment. Always wear eye protection. *Protective equipment such as dust mask, non-skid safety shoes, hard hat, or hearing protection used for appropriate conditions will reduce personal injuries.*
- c) Avoid accidental starting. Ensure the switch is in the off position before plugging in. *Carrying power tools with your finger on the switch or plugging in power tools that have the switch on invites accidents.*
- d) Remove any adjusting key or wrench before turning the power tool on. *A wrench or a key left attached to a rotating part of the power tool may result in personal injury.*
- e) Do not overreach. Keep proper footing and balance at all times. *This enables better control of the power tool in unexpected situations.*
- f) Dress properly. Do not wear loose clothing or jewellery. Keep your hair, clothing and gloves away from moving parts. *Loose clothes, jewellery or long hair can be caught in moving parts.*
- g) If devices are provided for the connection of dust extraction and collection facilities, ensure these are connected and properly used. *Use of these devices can reduce dust related hazards.*

#### 4) **Power tool use and care**

- a) Do not force the power tool. Use the correct power tool for your application. *The correct power tool will do the job better and safer at the rate for which it was designed.*
- b) Do not (use the power tool if the switch does not turn it on and off. *Any power tool that cannot be controlled with the switch is dangerous and must be repaired.*
- c) Disconnect the plug from the power source before making any adjustments, changing accessories, or storing power tools. *Such preventive safety measures reduce the risk of starting the power tool accidentally.*
- d) Store idle power tools out of the reach of children and do not allow persons unfamiliar with the power tool or these instructions to operate the power tool. *Power tools are dangerous in the hands of untrained users.*
- e) Maintain power tools. Check for misalignment or binding of moving parts, breakage of parts and any other condition that may affect the power tools operation. If damaged, have the power tool repaired before use. *Many accidents are caused by poorly maintained power tools.*
- f) Keep cutting tools sharp and clean. *Properly maintained cutting tools with sharp cutting edges are less likely to bind and are easier to control;*
- g) Use the power tool, accessories and tool bits etc., in accordance with these instructions and in the manner intended for the particular type of power tool, taking into account the working conditions and the work to be performed. *Use of the power tool for operations different from intended could result in a hazardous situation.*

#### 5) **Service**


- a) Have your power tool serviced by a qualified repair person using only identical replacement parts. *This will ensure that the safety of the power tool is maintained.*

## Special requirements for Chisel

- **Wear ear protectors with impact drills.** *Exposure to noise can cause hearing loss.*
- **Use auxiliary handles supplied with the tool.** *Loss of control can cause personal injury.*

### Additional safety rules:

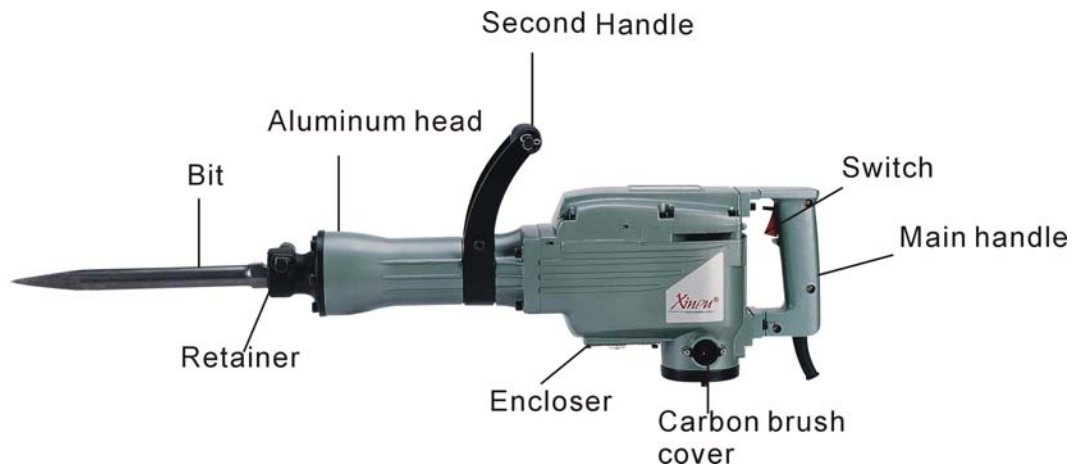


1. Wear a hard hat (safety helmet), safety glasses and /or face shield. It is also highly recommended that you wear a dust mask, ear protectors and thickly padded gloves.
2. Be sure the bit is secured in place before operation.
3. Under normal operation, the machine is designed to produce vibration, the screws and bolts can come loose, causing a breakdown and accidents. Check tightness of them carefully before running.
4. In cold weather or a long time tool not be used, please keep the tool running without load a few minutes to warm up the grease inside, otherwise hammering function is difficult to get.
5. Be sure you stand stably and no one is below when you using tool is in high location.
6. Hold the tool firmly with two hands.
7. Don't touch any moving parts.
8. Don't leave the tool running itself, operate tool only when hand-held.
9. Don't point the tool to anybody for the bit could fly out in case.
-  10. When chipping into walls, floors or wherever "live" electrical wire may be encountered, **DON'T TOUCH ANY METAL PARTS OF THE TOOL!** Hold the tool by the insulated grasping surface to prevent electric shock if you chip into a "live" wire.
11. Don't touch the BIT OR PARTS CLOSE TO THE BIT immediately after operation, they may extremely hot and could burn your skin.
12. Any damage and abnormal happen, please stop to use immediately and disconnect it, ask authorized serve center to check and repair.
- 13. Parts replace:** Only original XINPU's parts can be used to replace by authorized service center.
- 14. Right use accessories and parts:** Don't use other parts and accessories which not mentioned in the manual otherwise may cause injuries!
- 15. Special attention to voltage:** Before connect the power tool, please make sure the rated voltage on the tool can match the power supply, otherwise the power tool may be damaged and cause injuries.
- 16. Don't wipe plastic part with solvent:** Solvent such as gasoline, thinner, alcohol etc. these kind of chemical material, are not allowed to use, water or soap are recommended!



## 3. Assembly

### Name of the parts

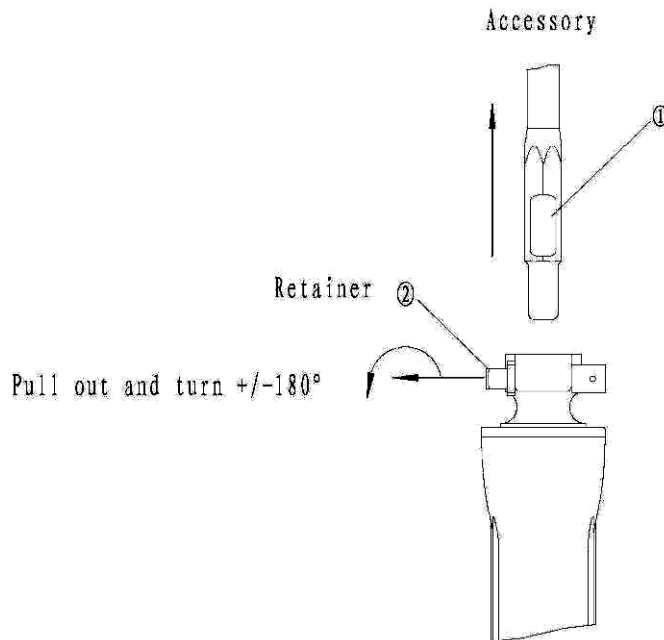


### Mounting tool bits

**Warning: before do it, make sure unplug the machine!**



- (1) Pull out of the retainer "2", turning 180° clockwise or anticlockwise, insert the accessory shank portion "1" into the hole on the front cover.
- (2) Turning the retainer back into original position.



**Remark:** When you removing the accessory, such as a bull point, a cutter etc., follow above procedure in reverse order.

## 4. Operation

## Prior to operation

### 1. Power source

Ensure that the power source to be utilized conforms to the power requirements which specified on the name plate of the hammer.

### 2. Power switch

Ensure that the power switch is in the position of OFF. If the plug is connected to power receptacle while the power switch is in ON position, the demolition hammer will start operation immediately, which can cause serious accident!

## Operation

1. Press the switch after applying the tip of the bit to crushing position. In some cases, it's necessary to punch the tip of the bit against the crushing position forcibly in order to begin the striking stroke. This is not due to malfunction of the power tool. It means that the safe guard mechanism against no-load striking is working.

2. Operate this demolition hammer by utilizing outside force. The performance will be better if it is pressed or thrust with properly force against the work surface.

### Note:

Sometimes the power tool does not begin the striking the stroke even the motor keep running, because oil inside become thick. If the power tool is used at a low temperature, or it is used after a long idle time, this demolition hammer should be kept running for above 5 minutes to warm up.

## 5. Maintenance

### How to replace grease

This demolition hammer is full of air-tight structure to protect against dust and to prevent lubrication leakage.

Therefore, this hammer can be used without lubrication for a long period. Replace grease as described below.



1. After purchase, before use each time, please check the oil, make sure there are enough oil to lubricate.  
One full tank oil can be consumed over after 50h continue working!
2. Please Unplug when you check or fill oil.
3. As an optional accessory, oil for our hammer is sold separately. Shell oil Co., ROTELLA #40(Engine oil) can be used also. Any Shell gasoline stations are available.
4. Following above describe, after that make sure tighten the oil hole plug and clean the machine.



### Maintenance and inspection



Before do any maintenance, ensure unplug the plug.

### 1. Inspecting the demolition hammer

Use a dull accessory, such as bull point, cutter, etc., will cause motor malfunction and efficiency degraded. Replace with a new one when your accessory is abased.

### 2. Inspecting the mounting screws

Regularly inspect all mounting screws and ensure that they are properly tightened. Any loose should be tighten immediately, failure to do maybe cause serious hazard.

### 3. Inspecting the bit retainer

The retainer may become loose due to excessive use. Make sure the bit shank position is hold securely, if any wear or damage is found, ask the authorized service people to maintenance.

### 4. Maintenance the motor

The motor is the heart of the machine, please avoid any damage to the winding, or any water and oil to wet it.

### 5. Carbon brush replacements

Carbon brushes are consumable parts, when it becomes worn or "limit worn" it can cause motor trouble, we use auto-stop carbon brush, it stopped automatically when carbon brush worn out, at that time, replace a new couple of them as we offered.

**Remark:** after carbon brush replacement, please make sure all of the screws are tightened enough!

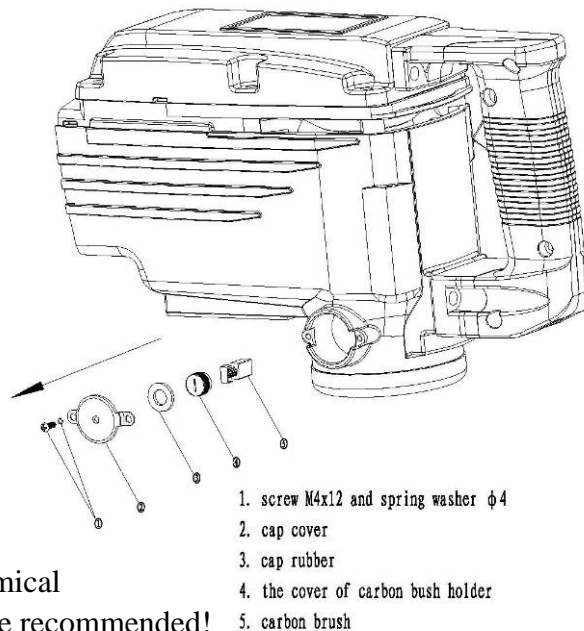
### 6. Cleaning

Clean the machine regularly with a soft cloth, preferably after each use. Solvent such as gasoline, thinner, alcohol etc.. These kind of chemical materials are not allowed to use, water or soap are recommended!

### 7. Warranty

For the condition of warranty, please refer to the separately provided warranty card.

When replace the carbon brush, just dismantle parts as order 1,2,3...., after that assembly in reverse order.

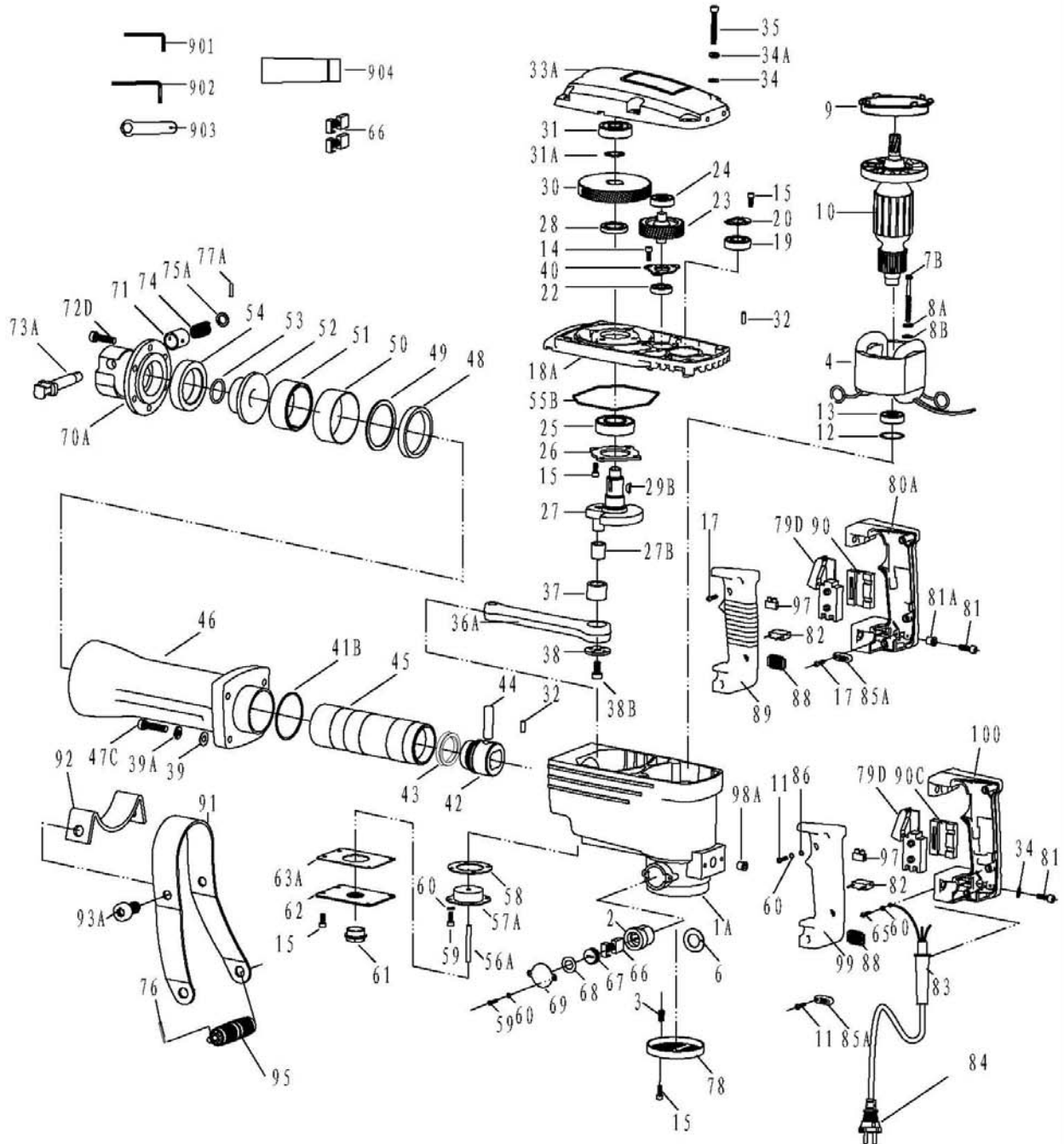


### Environment



Faulty and /or discarded electrical or electronic apparatus have to be collected at the appropriate recycling location.

# XP-65RA Hammer Part Chart



ZheJiang XinPu Designed

## XP-65RA Hammer Parts List

XP-No	Item No.	Part Describe	Quantity	XP-No	Item No.	Part Describe	Quantity
88290003	1A	Housing Ass'y	1	88221012	49	Mouth Washer	1
88241001	2	Brush Holder	2	88261008	50	Mouth Cover	1
88210046	3	Seal Lock ScrewM5×8	2	88271009	51	Mouth	1
88280001	4	Stator 220-240V	1	88271007	52	Shank Sleeve	1
88280041	4	Stator 100V	1	88261014	53	Fluorin O-Ring Φ23.5×Φ5.2	1
88280024	4	Stator 110-120V	1	88261007	54	Small Urethane Ring	1
88241007	6	Rubber Washer	2	88261001	55B	Heptagon Ring	1
88210004	7B	Hex. Socket Bolt M5×60	2	88310001	56A	Oil Felt	1
88210051	8A	Spring Washer Φ5	2	88221009	57A	Felt Holder	1
88210055	8B	Flat Washer Φ5	2	88261004	58	Holder Seal	1
88221006	9	Fan Guide	1	88210032	59	Machine Screw M4×12	8
88280002	10	Armature 220-240V	1	88210050	60	Spring WasherΦ4	12
88280042	10	Armature 100V	1	88221010	61	Oil Gauge	1
88280025	10	Armature 110-120V	1	88221011	62	Cover Plate	1
88210033	11	Machine Screw M4×16	5	88261003	63A	Cover Seal	1
88210063	12	Φ32 Urethane Washer	1	88210031	65	Machine Screw M4×8	1
88231003	13	Ball Bearing 6201 2RS C3	1	88241003	66	Carbon Brush	2
88210029	14	Embedding-Screws M5×10	3	88241002	67	Brush Cap	2
88210002	15	Hex. Socket Bolt M5×12	13	88261002	68	Cap Rubber	2
88210038	17	Tapping Screw ST4.2×18	5	88221007	69	Cap Cover	2
88290002	18A	Inner Cover	1	88271003	70A	Front Cover	1
88231004	19	Ball Bearing 6203 2RS C3	1	88221013	71	Spring Cover	1
88221003	20	6203 2RS C3 Bearing Cover	1	88210016	72D	Hex. Socket Bolt M8×30 ( 12.9)	6
88231001	22	Ball Bearing 6001 2RZ C2	1	88271005	73A	Locking Lever	1
88271002	23	Counter Gear	1	88221014	74	Lever Spring	1
88231002	24	Ball Bearing 6201 2RS C2	1	88261012	75A	Locking Lever Cover	1
88231017	25	Ball Bearing 6205 2RS C0	1	88221021	76	Split Pin	2
88221004	26	6205 2Z C2 Bearing Cover	1	88221018	77A	Needle Roller Φ4×18	1
88271004	27	Crank Shaft	1	88221008	78	Fan Cover	1
88221020	27B	Crank Shaft Ring	1	88241004	79D	Switch	1
88221001	28	Distance Ring	1	88261017	80A	Main Handle (Plastic)	1
88221019	29B	Woodruff Key 4×16	2	88210009	81	Hex. Socket Bolt M6×25	4
88271001	30	Final Gear	1	88221023	81A	Distance Piece	4
88233002	31	Ball Bearing 6302 2Z C2	1	88241005	82	Electric Capacity 0.33uF	1
88210066	31A	Φ22 Retaining Ring	1	88261016	83	Cord Armor	1
88221017	32	PinΦ5×14	2	88250000	84	Cord	1
88290004	33A	Gear Cover	1	88261010	85A	Cord Clip	1
88210056	34	Φ6 Flat Washer	10	88210054	86	Φ4 Flat Washer	3
88210052	34A	Φ6 Spring Washer	6	88241006	88	Electricity Feels 0.18uH	1
88210136	35	Hex. Socket Bolt M6×45(12.9)	6	88261018	89	Main Handle Cover (Plastic )	1
88271006	36A	Connecting Rod Ass'y	1	88261019	90	Support (C )	1
88234004	37	Needle Bearing NK1820	1	88261011	90C	Support (A)	1
88221002	38	Crank Washer	1	88221015	91	Side Handle Ass'y	1
88210018	38B	Hex. Socket Bolt M8×1×35	1	88221016	92	Handle Stay	1
88210059	39	Φ8Flat Washer	4	88210014	93A	Hex. Socket Bolt M8×16	2
88210053	39A	Φ8 Spring Washer	4	88261015	95	Grip	1
88221005	40	6001 2RZ C2 Bearing Cover	1	88210076	97	Rivet	1
88261013	41B	O-RingΦ58×Φ2	1	88261009	98A	Wire Cover	1
88290005	42	Piston	1	88290007	99	Main Handle Cover (Aluminum)	1
88261005	43	L-RingΦ32×7	1	88290006	100	Main Handle (Aluminum)	1
88271010	44	Piston Pin	1	88301003	901	5mm Hex. Bar Wrench	1
88271008	45	Cylinder	1	88301004	902	6mm Hex. Bar Wrench	1
88290001	46	Aluminum Head	1	88301008	903	Wrench For Tank Cover	1
88210021	47C	Hex. Socket Bolt M8×40(12.9)	4	88304020	904	Oil Bottle	1
88261006	48	Big Urethane Ring	1				